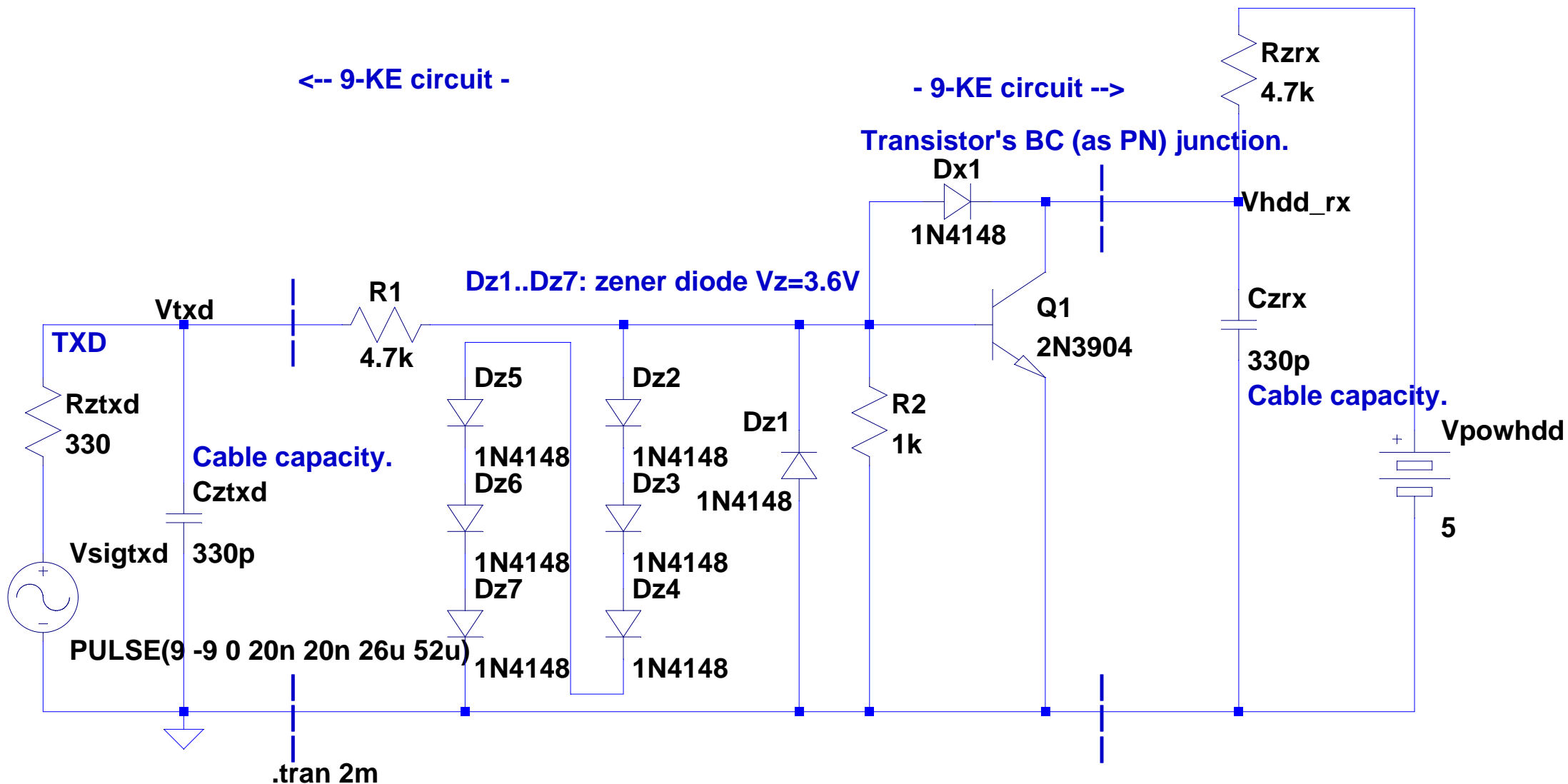


<-- 9-KE circuit -

- 9-KE circuit -->

Transistor's BC (as PN) junction.



According to: <http://www.kannet.ne.jp/tomaru/kenkyuushithu/technic/9-ke/9-ke.htm>

The real Vz spec of Zener (Dz1..Dz7) is Vz=3.3V.

Dx1: Not present in real circuit.