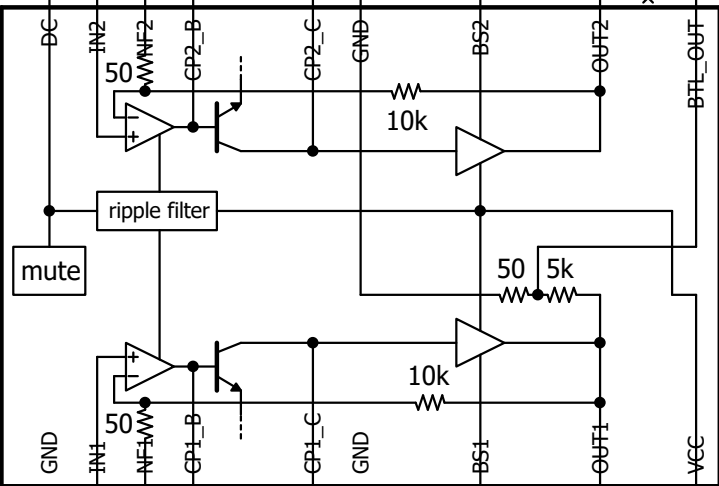


U1
 LA4126
 BOTTOM VIEW



IN1

RL Recommended (TA=25°C)
 LA4126: 4 to 8 Ω
 LA4126T: 8 Ω

Vcc voltages Recommended (TA=25°C), Min, and Absolute max
 LA4126: 9V, 6V, 13V
 LA4126T: 12V, 6V, 18V

It may better use 1000u 25V.

Look the C8 and C9 polarity.

LA4126, LA4126T Application Circuit: 1ch (Mono BTL) input/output
 Circuit type A